

**Spare parts list**  
**(5.971-078.0) Spare parts list K 3/5.690 \***

## Table of contents

---

<b>Spare parts list K 3/5.690 * (5.971-078.0)</b> .....	<b>6</b>
10 Housing.....	7
11 Housing.....	8
12 Hose reel.....	10
13 Hose reel.....	12
20 Pump set.....	14
21 Housing.....	15
22 Housing.....	18
23 Thrust guidance.....	20
30 Motor.....	22
40 Accessories.....	24
41 Hand trigger gun.....	25
3 Spare part set O-Ring seal 5x (2.880-296.0).....	27
42 Jet pipe.....	28
50 Electric box.....	30

Spare parts list K 3/5.690 \* (5.971-078.0)

---

Pos	Name	Qty.	Unit
10	Housing	1.000	ST
20	Pump set	1.000	ST
30	Motor	1.000	ST
40	Accessories	1.000	ST
50	Electric box	1.000	ST

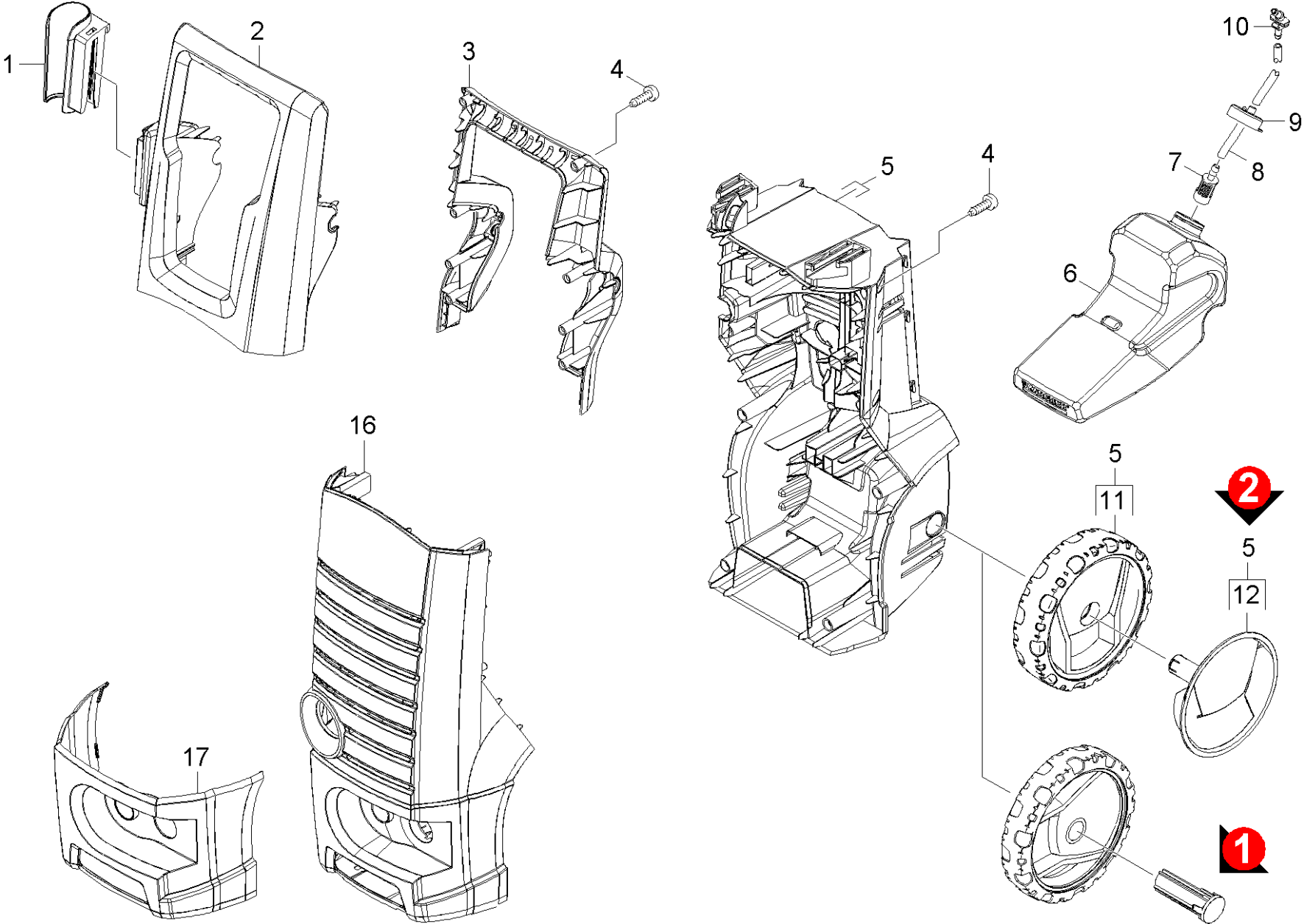
---

## 10 Housing

---

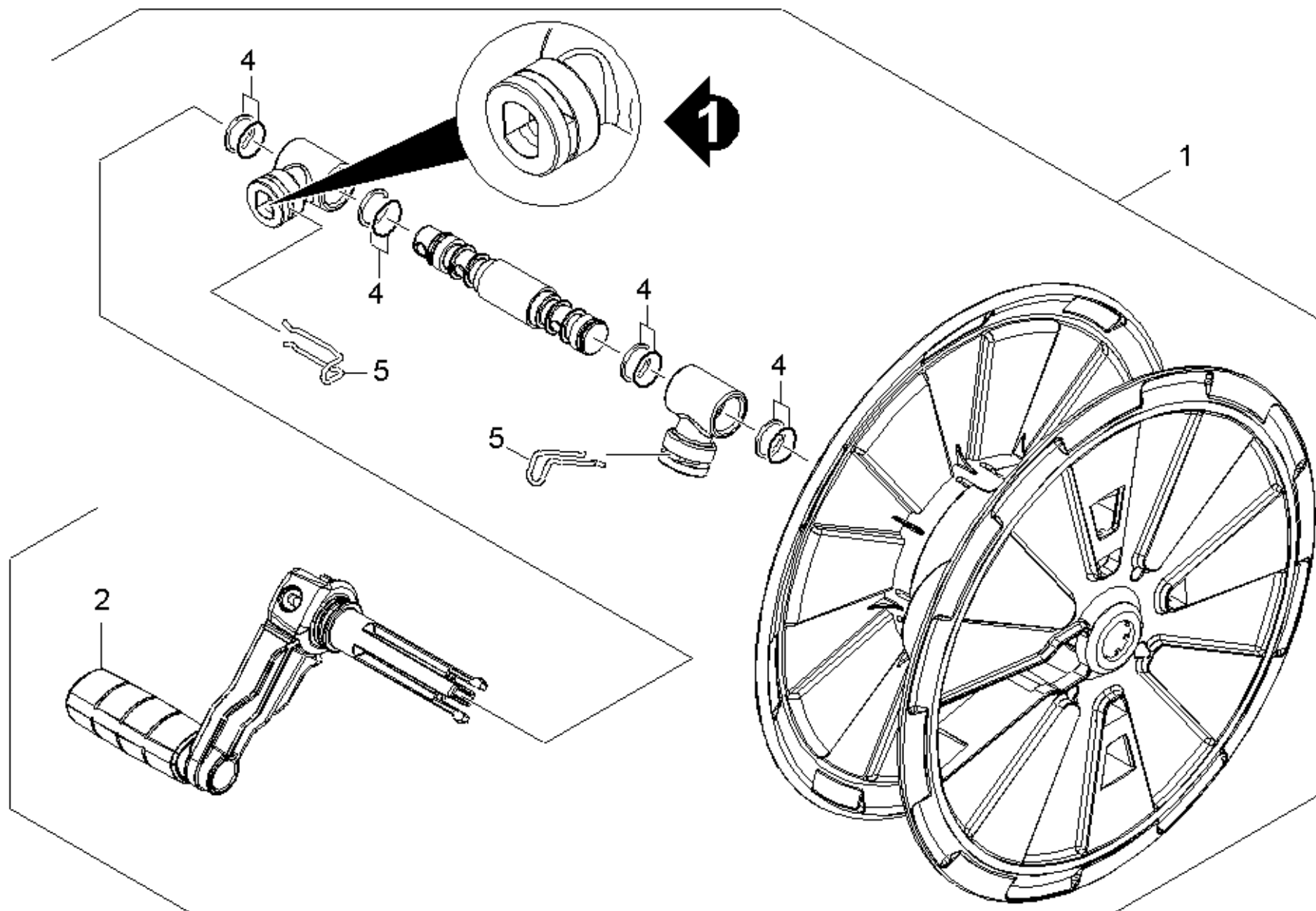
Pos	Name	Qty.	Unit	var. information
11	Housing	1.000	ST	
12	Hose reel	1.000	ST	VERSION 1
13	Hose reel	1.000	ST	VERSION 2

---



11 Housing

ET/VT (spare/wear parts)	Pos	Material #	Name	Qty.	Unit	Footnote text
	1	5.321-904.0	Holder pistol	1.000	ST	
	2	9.760-634.0	Hand grip front K 5 Fam	1.000	ST	
	3	9.760-635.0	Hand grip rear K 5 Fam	1.000	ST	
X	4	9.086-173.0	Screw Hi-Lo d.4x22 Torx-d.7,5	16.000	ST	
	5	9.755-075.0	Chassis complete replacement K 5 Fam (D2	1.000	ST	
	6	9.755-244.0	Tank spare part K5 Fam	1.000	ST	
X	7	5.731-652.0	Filter with weight	1.000	ST	
	8	6.388-216.0	Hose DN 5	1.000	M	TO ORDER AS CUT GOODS
	9	9.760-653.0	Cover tank cleaning agents	1.000	ST	
	10	9.037-314.0	Nipple	1.000	ST	
	11	9.755-146.0	Wheel set with orifice replacement (D200	1.000	ST	SET OF 2 PIECES
X	12	9.755-147.0	Screen wheel kit D200 silver	2.000	ST	SET OF 2 PIECES
	16	9.755-162.0	Cover front replacement K5 Fam hr	1.000	ST	
	17	9.760-677.0	Bumper black K 5 Fam hr	1.000	ST	
Position text: 1.601-901.0						

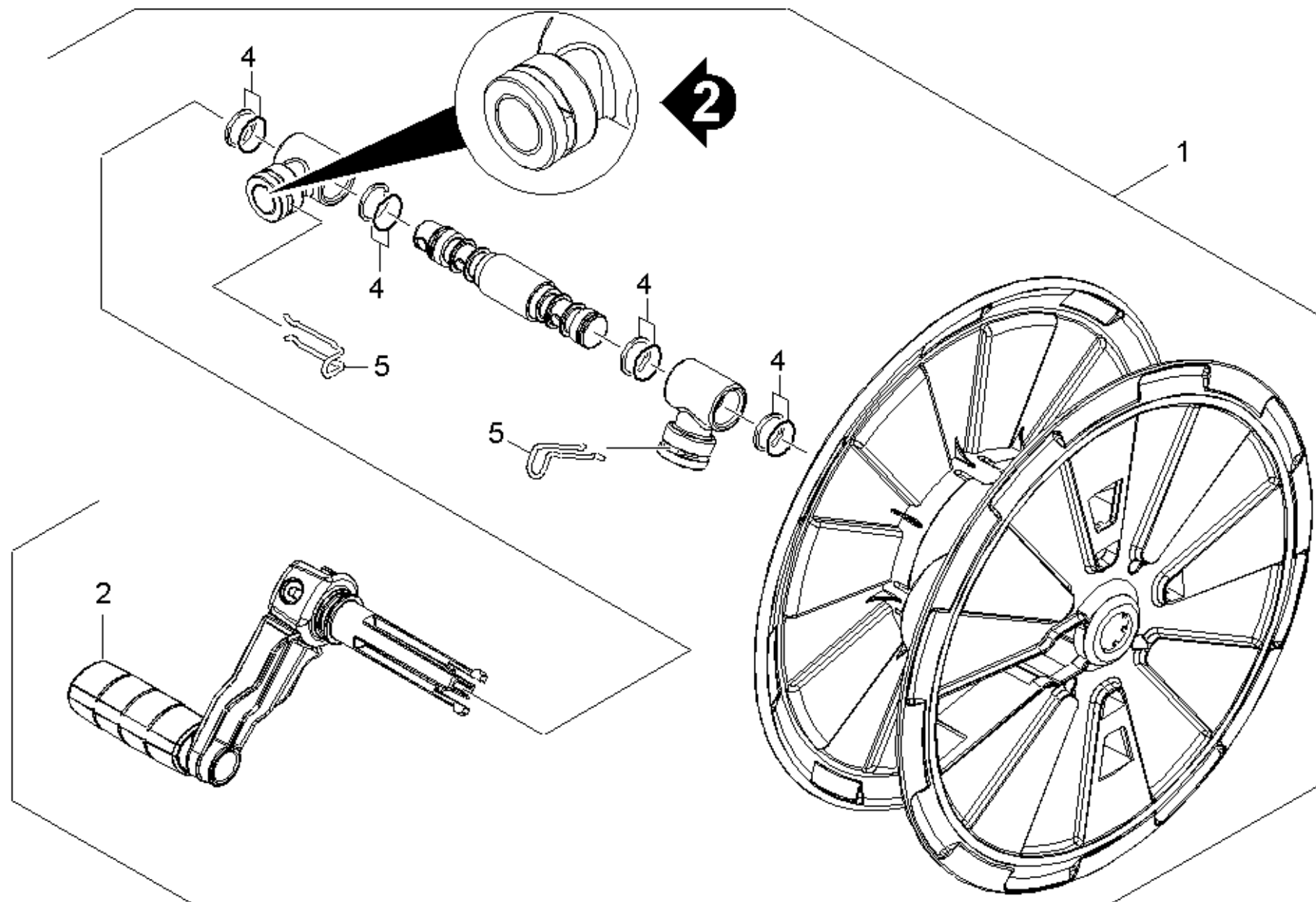


**12 Hose reel**

---

ET/VT (spare/wear parts)	Pos	Material #	Name	Qty.	Unit	var. information
	1	9.755-243.0	Hose reel complete spare part	1.000	ST	VERSION 1
X-X	2	9.755-221.0	Hand crank complete spare part K3-5 Fami	1.000	ST	
	4	6.363-027.0	O-Ring seal complete 1ST.-R.	4.000	ST	
X-X	5	5.059-402.0	Clamp 90°	2.000	ST	





**13 Hose reel**

---

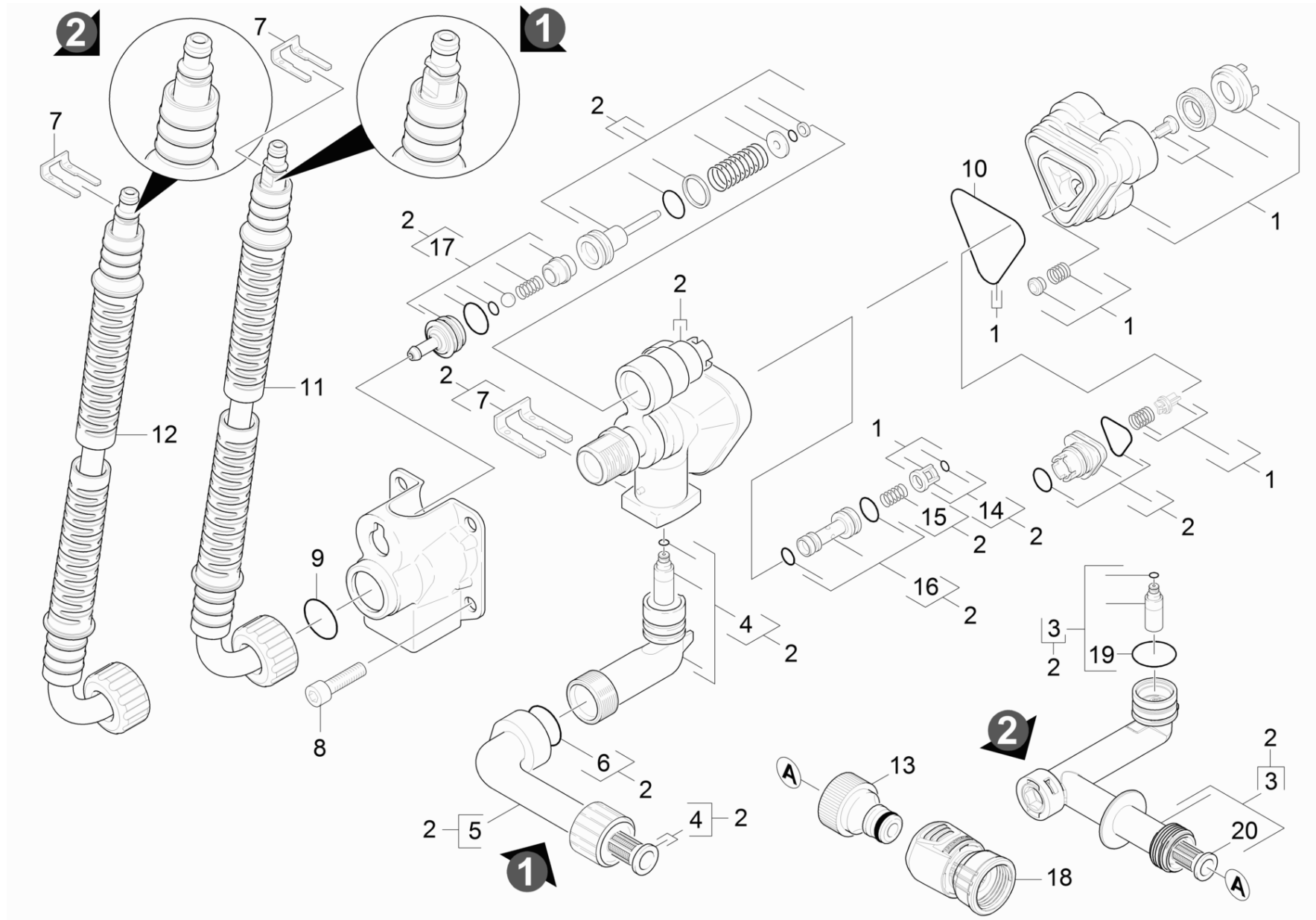
ET/VT (spare/wear parts)	Pos	Material #	Name	Qty.	Unit	var. information
X	1	9.755-240.0	Hose reel complete spare part (round fit	1.000	ST	VERSION 2
X-X	2	9.755-221.0	Hand crank complete spare part K3-5 Fami	1.000	ST	
	4	6.363-027.0	O-Ring seal complete 1ST.-R.	4.000	ST	
X-X	5	5.059-402.0	Clamp 90°	2.000	ST	

## 20 Pump set

---

Pos	Name	Qty.	Unit
21	Housing	1.000	ST
Position text: 1601-772.0			
22	Housing	1.000	ST
Position text: 1.601-901.0 /-920.0			
23	Thrust guidance	1.000	ST

---



## 21 Housing

ET/VT (spare/wear parts)	Pos	Material #	Name	Qty.	Unit	var. information	Footnote text
X-X	1	9.755-020.0	H.P. head complete Spare Part	1.000	ST		
	2	9.755-016.0	Manifold complete replacement K3.690*US	1.000	ST		VERSION 1
Position text: 1.601-772.0							
X-X	2	9.755-144.0	Housing complete replacement K3.65	1.000	ST		VERSION 2
Position text: 1.601-772.0							
	3		Inlet fitting cpl. replacement	1.000	ST		VERSION 2
Position text: 1.601-772.0							
X-X	4	9.001-375.0	Spare parts set suction connection	1.000	ST		
Position text: 1.601-772.0							
X	5	9.755-078.0	Suction connection replacement K3.440	1.000	ST		VERSION 1
Position text: 1.601-772.0							
	6	9.081-420.0	O-Ring d.17,86x2,62	1.000	ST		
	7	9.039-148.0	Metal fork	2.000	ST		
	8	9.086-200.0	Screw M 8x55 Class 8.8	4.000	ST		
X-X	9	6.362-151.0	O-Ring d. 10 x 2 NBR 70	1.000	ST		
X-X	10	9.081-422.0	Form seal	1.000	ST		
X	11	9.755-213.0	High pressure hose hose reel spare part	1.000	ST	VERSION 1	
X-X	12	9.755-214.0	High pressure hose hose reel spare part	1.000	ST	VERSION 2	
X-X	13	6.465-031.0	Connection 3/4	1.000	ST		
X	14	9.001-107.0	Cage complete	1.000	ST		
	15	9.047-026.0	Spring	1.000	ST		
	16	9.001-108.0	Injector complete	1.000	ST		
	17	9.755-183.0	Nipple chemistry spare part - straight	1.000	ST		
	18	4.645-365.0	Coupler with label complete	1.000	ST		
	19	9.755-279.0	O-Ring seal d.20,5x2,2 NBR 7 spare part	1.000	ST		

## 21 Housing

---

ET/VT (spare/wear parts)	Pos	Material #	Name	Qty.	Unit	var. information	Footnote text
X	20	9.755-280.0	Fine filter spare part	1.000	ST		

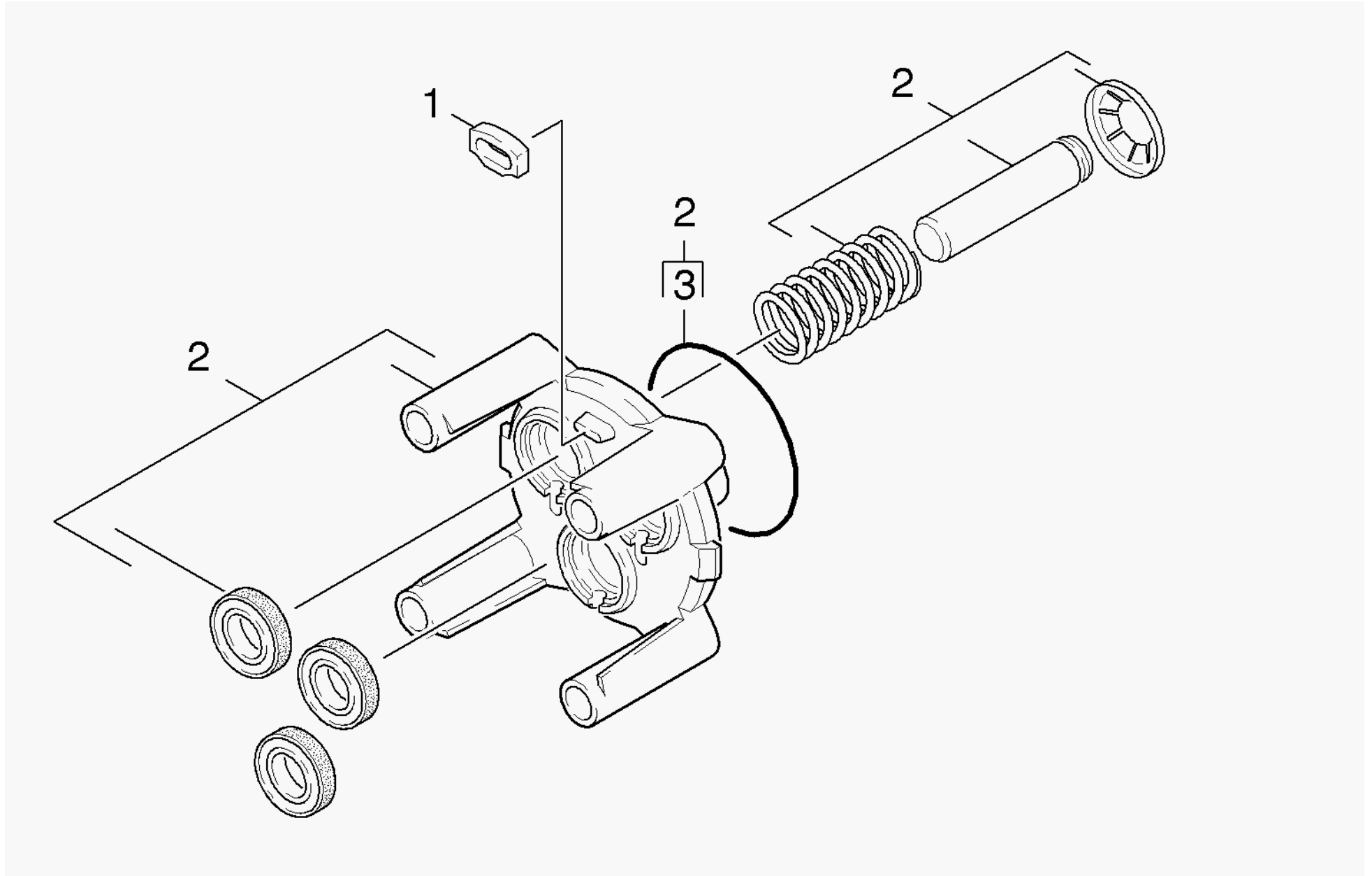
---



## 22 Housing

ET/VT (spare/wear parts)	Pos	Material #	Name	Qty.	Unit	var. information	Footnote text
X-X	1	9.755-020.0	H.P. head complete Spare Part	1.000	ST		
X-X	2	9.755-012.0	Housing complete replacement 2000 PSI	1.000	ST		VERSION 2
Position text: 1.601-901.0 /-920.0 /-921.0							
X-X	2	9.755-068.0	Housing complete replacement 2000 PSI	1.000	ST		VERSION 1
Position text: 1.601-901.0							
X-X	4	9.755-199.0	Suction connection complete replacement	1.000	ST		VERSION 2
Position text: 1.601-901.0 /-920.0 /-921.0							
	4	9.755-082.0	Suction connection complete replacement	1.000	ST		VERSION 1
Position text: 1.601-901.0							
X	5	9.755-078.0	Suction connection replacement K3.440	1.000	ST		VERSION 1
	5	9.760-161.0	Inlet fitting elbow Kx.68 EU(PP)	1.000	ST		VERSION 2
Position text: 1.601-901.0 /-920.0 /-921.0							
	6	9.081-420.0	O-Ring d.17,86x2,62	1.000	ST		
	7	9.039-148.0	Metal fork	2.000	ST		
	8	9.086-200.0	Screw M 8x55 Class 8.8	4.000	ST		
X-X	9	6.362-151.0	O-Ring d. 10 x 2 NBR 70	1.000	ST		
X-X	10	9.081-422.0	Form seal	1.000	ST		
X	11	9.755-213.0	High pressure hose hose reel spare part	1.000	ST	VERSION 1	
X-X	12	9.755-214.0	High pressure hose hose reel spare part	1.000	ST	VERSION 2	
X-X	13	6.465-031.0	Connection 3/4	1.000	ST		
	14	4.645-365.0	Coupler with label complete	1.000	ST		
	17	9.755-183.0	Nipple chemistry spare part - straight	1.000	ST		



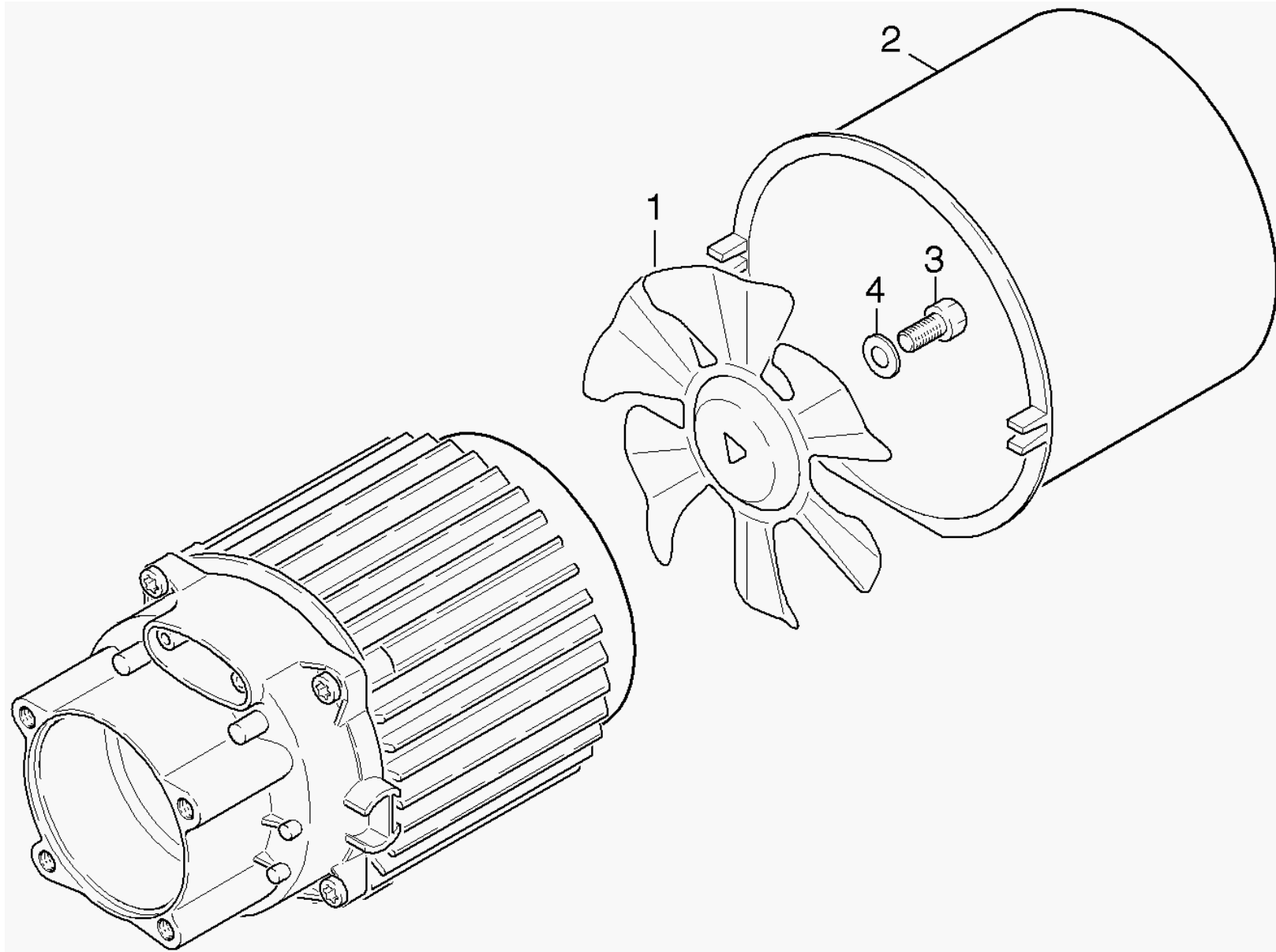


### 23 Thrust guidance

---

Pos	Material #	Name	Qty.	Unit
1	9.048-071.0	Spacer - Seal	1.000	ST
2	9.012-496.0	Thrust guidance complete PA (EX-141)	1.000	ST
3	6.362-826.0	O-Ring seal 61,6x2,62	1.000	ST

---



**30 Motor**

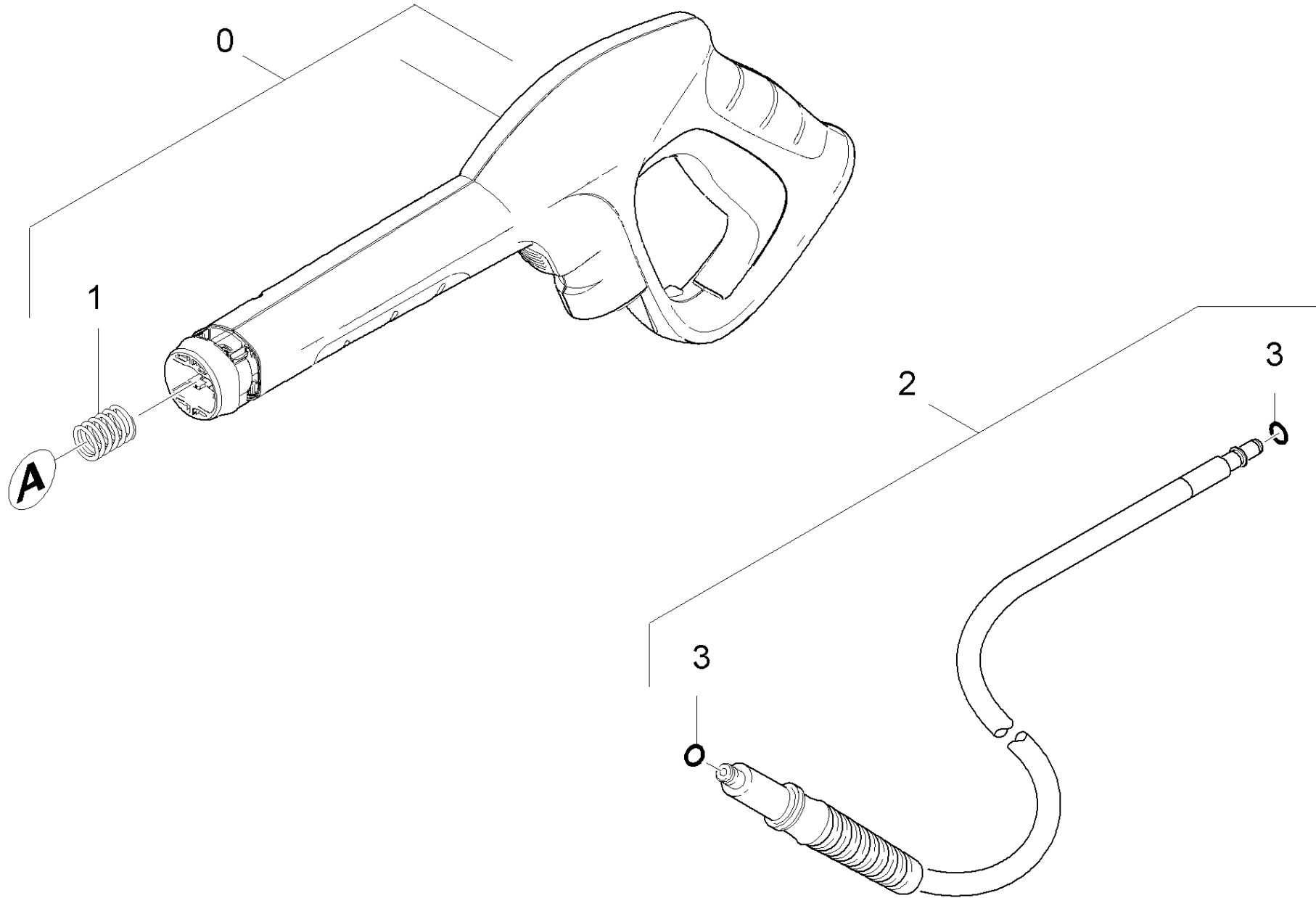
---

Pos	Material #	Name	Qty.	Unit
1	9.039-188.0	Blower wheel	1.000	ST
2	9.755-166.0	Covering cap blower wheel grey	1.000	ST
3	7.304-395.0	Hexagonal head screw M8x16-8.8-A2E ISO	1.000	ST
4	7.312-233.0	Serrated lock washer A8,4-FSt-A3E DIN67	1.000	ST

40 Accessories

---

Pos	Name	Qty.	Unit
41	Hand trigger gun	1.000	ST
42	Jet pipe	1.000	ST



#### 41 Hand trigger gun

---

ET/VT (spare/wear parts)	Pos	Material #	Name	Qty.	Unit
X-X	0	2.642-172.0	G 160 Q pistol Quick Connect	1.000	ST
	1	5.332-464.0	Pressure spring	1.000	ST
X-X	2	6.391-794.0	High pressure hose 16MPa/9m 60°C	1.000	ST
X-X	3	2.880-296.0	Spare part set O-Ring seal 5x	2.000	ST

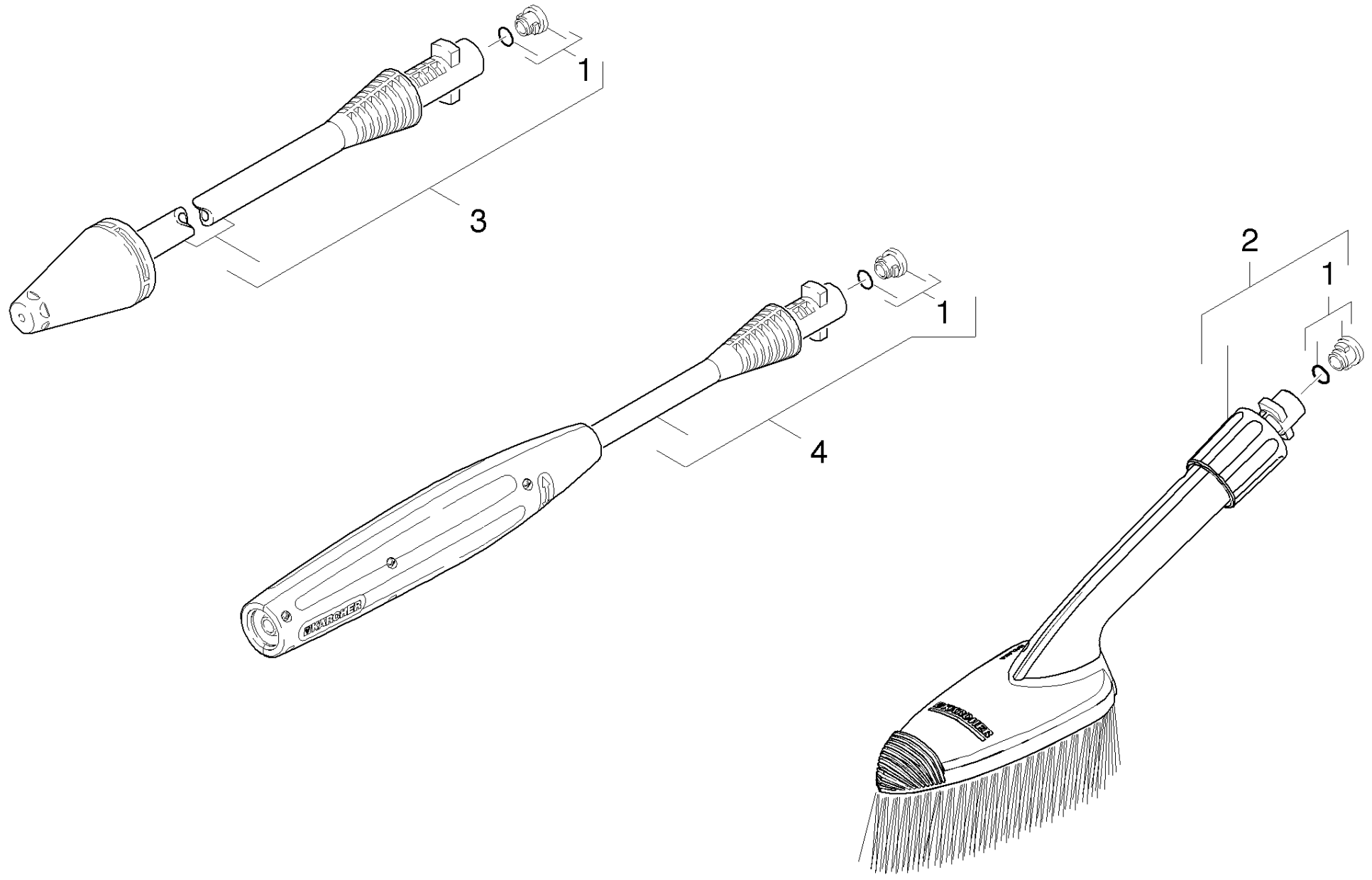
3 Spare part set O-Ring seal 5x (2.880-296.0)

---

Pos	Material #	Name	Qty.	Unit	from ser.nr.	up to ser.nr.
10	6.362-957.0	O-Ring seal 10,0 X 2,0-EPDM 85-90	5.000	ST	0000000000	0000000000

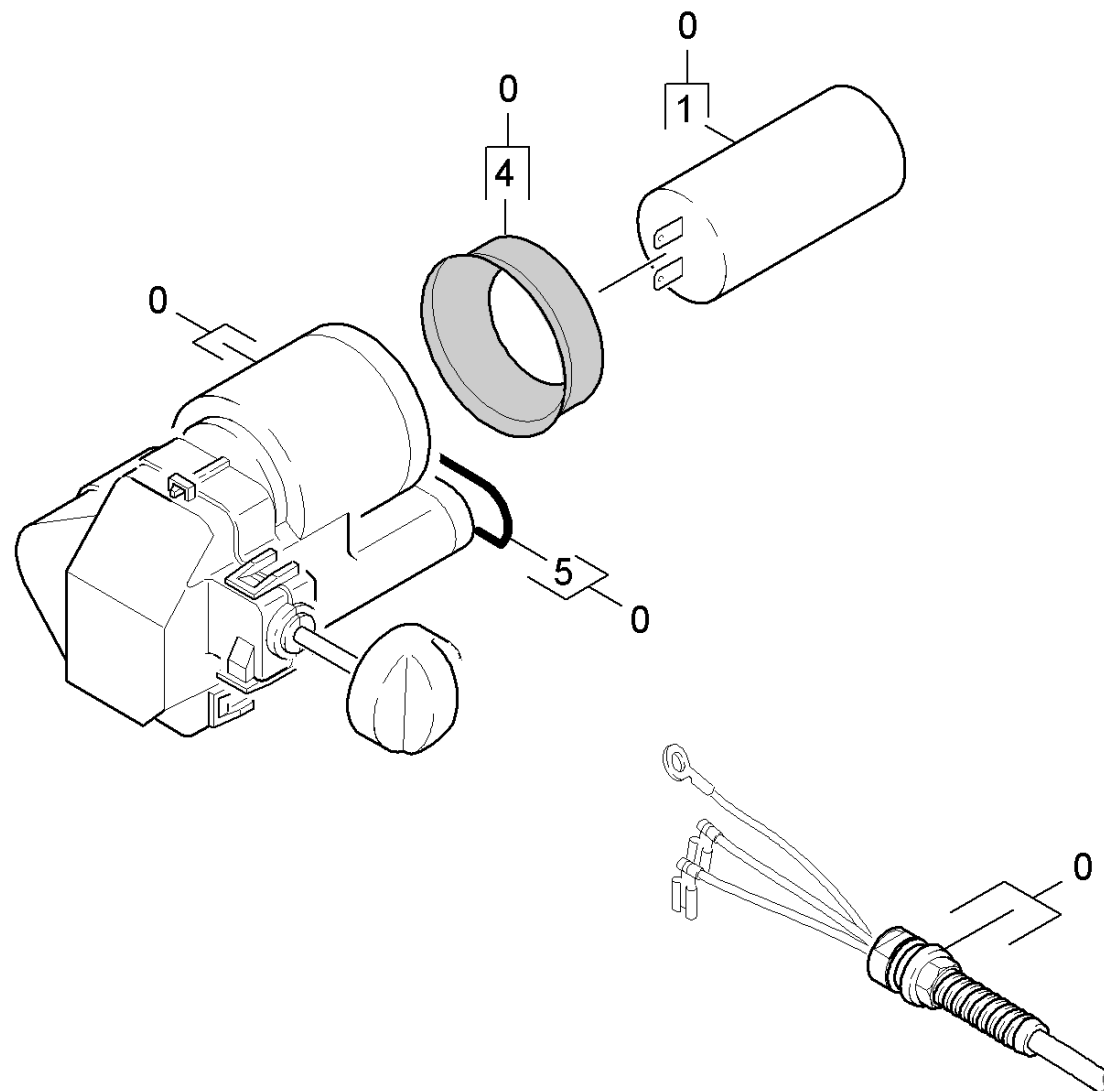
---





42 Jet pipe

ET/VT (spare/wear parts)	Pos	Material #	Name	Qty.	Unit
X-X	1	2.640-729.0	O-Ring seal set	1.000	ST
X-X	2	2.640-589.0	Brush lengthwise	1.000	ST
X-X	3	4.764-243.0	Dirt blaster K2 027 St	1.000	ST
X	4	4.760-623.0	VPS K3 021K	1.000	ST
Position text: 1.601-772.0 /-901.0 /-920.0 /-921.0					



**50 Electric box**

---

Pos	Material #	Name	Qty.	Unit
0	9.755-086.0	Electric box complete replacement K3 fam	1.000	ST
1	6.661-196.0	Capacitor 60 $\mu$ F	1.000	ST
4	9.760-118.0	Seal	1.000	ST
5	9.081-417.0	O-Ring d.20 x 2	1.000	ST